

## RV 616/2 THE VICTORIAN 616

Arroll Victorian 2 column cast iron radiators are a perfect for places that depth and space is of premium concern. Replicated from the original American standard this radiator will complement any small space and can be finished in any of our standard or special finishes for a more contemporary home.



# Arroll®

### THE VICTORIAN 616

#### RADIATOR DIMENSIONS

Leg section height:	616mm
Middle section height:	567mm
Section length	51mm
Radiator depth:	70mm

#### INLET & EXIT

Bottom inlet to floor:	83mm
Top inlet to floor:	583mm
Pipe centres to skirting board:	35mm

#### HEAT OUTPUT PER SECTION

Delta $\Delta T$ 50°C:	45Watts / 153BTUs
Delta $\Delta T$ 60°C:	56Watts / 193BTUs

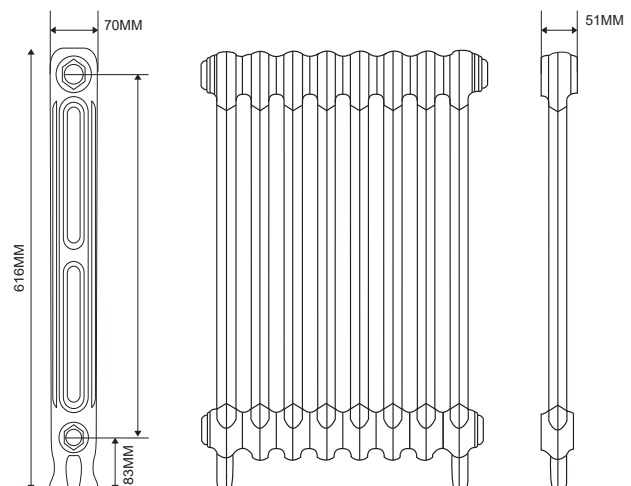
#### RADIATOR WEIGHT

Empty weight per leg section:	4Kgs
Empty weight per middle section:	3Kgs
Filled weight per leg section:	5Kgs
Filled weight per middle section:	4Kgs

#### INTERNAL VOLUME

Leg section	1L
Middle section	1L

\*All measurements and sizes are approximate.



RV-616-2C THE VICTORIAN 616

#### Terms & Conditions

It is the policy of Arroll Limited to allow a 4% +/- tolerance on all measurements and sizes provided. It is not recommended that plumbers fit pipe centres prior to the arrival & inspection of the radiator. Warranty is subject to the installation of the radiator in accordance to the fitting instruction supplied. The Arroll name including its trademark is registered property of Arroll Limited, Belfast.