

RD 450/3c THE NEO-CLASSIC 450
RD 645/3c THE NEO-CLASSIC 645
RD 745/3c THE NEO-CLASSIC 745



Arroll[®]

RD 450/3c - RD 645/3c - RD 735/3c THE NEO-CLASSIC 450, 645 & 745

THE NEO-CLASSIC 450

RADIATOR DIMENSIONS

Leg section height:	450mm
Middle section height:	384mm
Section length	61mm
Radiator depth:	120mm

INLET & EXIT

Bottom inlet to floor:	115mm
Top inlet to floor:	405mm
Pipe centres to skirting board:	60mm

HEAT OUTPUT PER SECTION

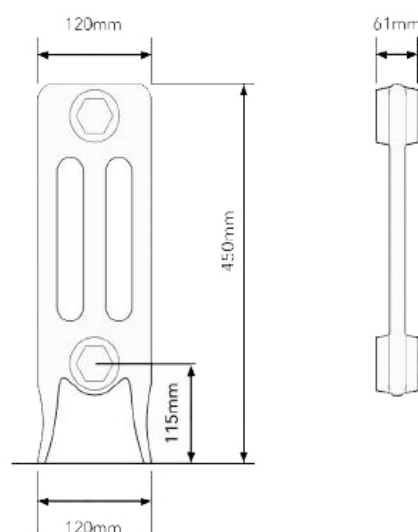
Delta ΔT 50°C:	48Watts / 164BTUs
Delta ΔT 60°C:	60Watts / 207BTUs

RADIATOR WEIGHT

Empty weight per leg section:	3.4Kgs
Empty weight per middle section:	3.1Kgs
Filled weight per leg section:	3.9Kgs
Filled weight per middle section:	3.6Kgs

INTERNAL VOLUME

Leg section	0.5L
Middle section	0.5L



*All measurements and sizes are approximate.

Terms & Conditions

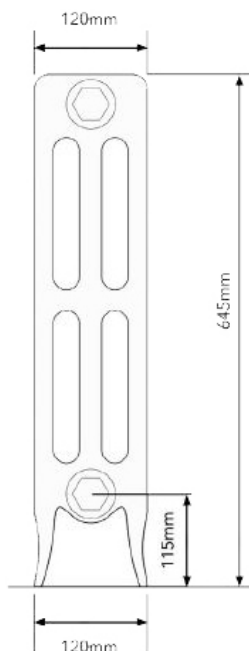
It is the policy of Arroll Limited to allow a 4% +/- tolerance on all measurements and sizes provided. It is not recommended that plumbers fit pipe centres prior to the arrival & inspection of the radiator. Warranty is subject to the installation of the radiator in accordance to the fitting instruction supplied. The Arroll name including its trademark is registered property of Arroll Limited, Belfast.

RD 450/3c THE NEO-CLASSIC 450

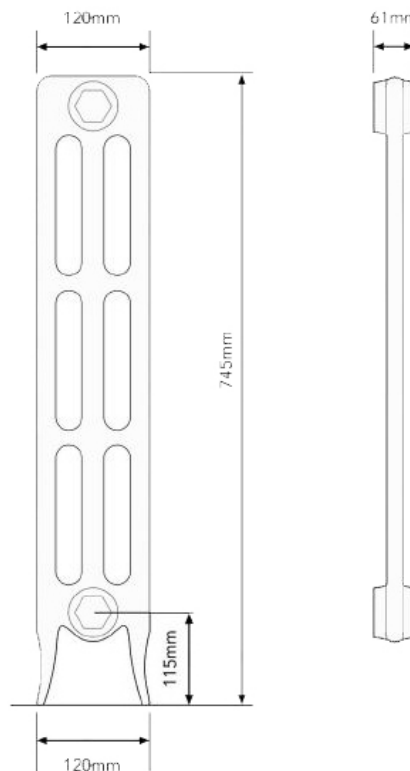
RD 645/3c THE NEO-CLASSIC 645

RD 745/3c THE NEO-CLASSIC 745

Arroll®



THE NEO-CLASSIC 645



THE NEO-CLASSIC 735

RADIATOR DIMENSIONS

Leg section height:	645mm
Middle section height:	578mm
Section length	61mm
Radiator depth:	120mm

INLET & EXIT

Bottom inlet to floor:	115mm
Top inlet to floor:	610mm
Pipe centres to skirting board:	60mm

HEAT OUTPUT PER SECTION

Delta ΔT 50°C:	73Watts / 249BTUs
Delta ΔT 60°C:	92Watts / 314BTUs

RADIATOR WEIGHT

Empty weight per leg section:	4.6Kgs
Empty weight per middle section:	4.4Kgs
Filled weight per leg section:	5.6Kgs
Filled weight per middle section:	5.4Kgs

INTERNAL VOLUME

Leg section	1L
Middle section	1L

RADIATOR DIMENSIONS

Leg section height:	745mm
Middle section height:	675mm
Section length	61mm
Radiator depth:	120mm

INLET & EXIT

Bottom inlet to floor:	115mm
Top inlet to floor:	700mm
Pipe centres to skirting board:	60mm

HEAT OUTPUT PER SECTION

Delta ΔT 50°C:	92Watts / 313BTUs
Delta ΔT 60°C:	118Watts / 402BTUs

RADIATOR WEIGHT

Empty weight per leg section:	5.44Kgs
Empty weight per middle section:	4.8Kgs
Filled weight per leg section:	6.94Kgs
Filled weight per middle section:	6.3Kgs

INTERNAL VOLUME

Leg section	1.5L
Middle section	1.5L

*All measurements and sizes are approximate.

*All measurements and sizes are approximate.

Terms & Conditions

It is the policy of Arroll Limited to allow a 4% +/- tolerance on all measurements and sizes provided. It is not recommended that plumbers fit pipe centres prior to the arrival & inspection of the radiator. Warranty is subject to the installation of the radiator in accordance to the fitting instruction supplied. The Arroll name including its trademark is registered property of Arroll Limited, Belfast.

© Copyright 2019 Arroll Limited

RD 450/3c - RD 645/3c - RD 735/3c THE NEO-CLASSIC 450, 645 & 745