

UK-15 Thermostatic Valve

TECHNICAL SPECIFICATION

Finishes

Antique Brass	Chrome Plated
Black Nickel	Old English Brass
Brushed Nickel	Polished Nickel

Valve Connections

Valve to Radiator:	1/2" BSP
Valve to Pipe:	15mm Compression

Heating System Connection

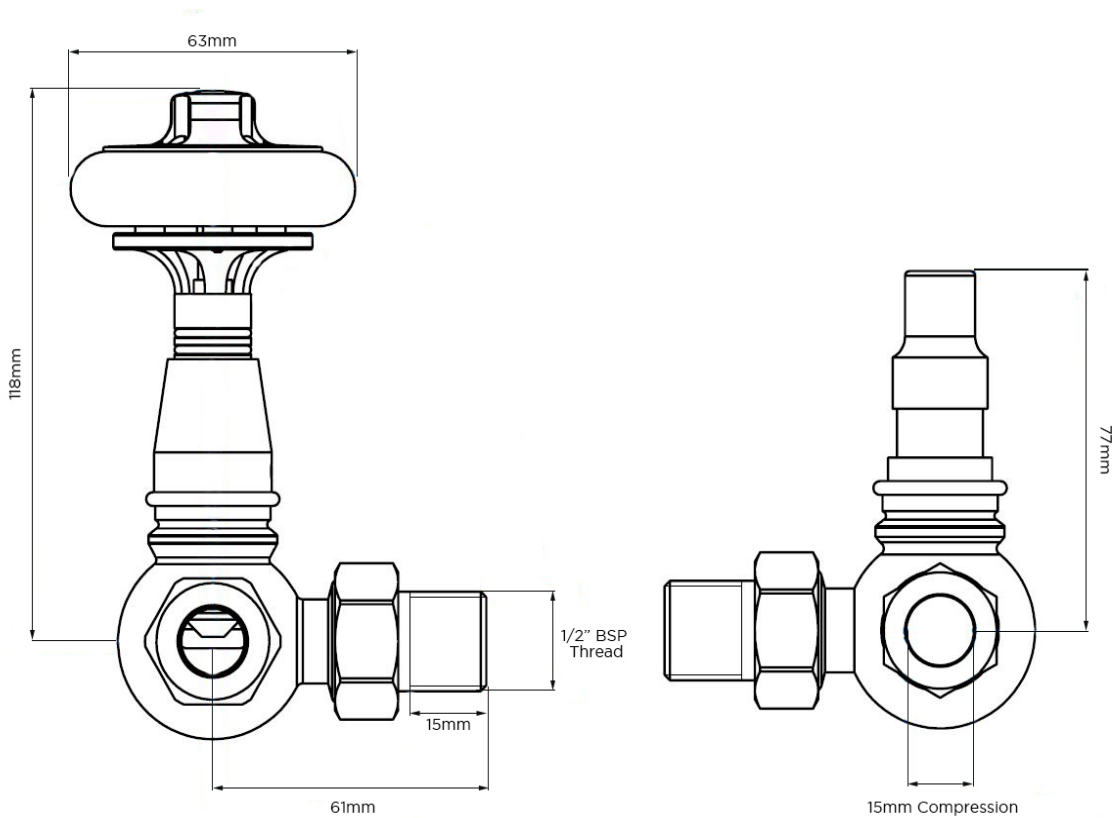
Thermostatic Valve:	Flow
Lock Shield:	Return

Pressure Drop Valve

KVS:	1.6
------	-----



Technical Drawing



Terms & Conditions

All dimensions are approximate and should be used as a guide. It is not recommended for work to commence prior to the arrival and inspection of all parts as Arroll does not take responsibility for any errors caused.

© Copyright 2020 Arroll Limited

All images and technical drawings are copyright of Arroll Limited Belfast.